

# Product Catalog & Specifications

## SimpleSelfieStand

475 Albany Shaker Road  
Suite 9-11095,  
Albany NY 12211  
(970) 462- 7766  
info@simpleselfiestand.com



## Product Specifications and Pricing

SimpleSelfieStands (*patent pending*) are made in the USA and fabricated to ensure easy installation and a long life of active use.

Each SimpleSelfieStand is composed of two parts. The “head,” fabricated via a CNC router, is machined with radial edges and includes a powder coating to safely secure the user’s digital camera or mobile phone while avoiding scratches or damage.

The SimpleSelfieStand head is permanently and securely affixed via gas tungsten arc welding (GTAW) to aluminum tubing that serves as the SimpleSelfieStand’s base allowing the stand to be placed as desired on various terrains and topology.

Both the head and pole of SimpleSelfieStands are made from aluminum and powder coated to ensure a long life free from rust and corrosion.

Dimensions:   Head:   Height: 3.75”  
  Width: 3.75”  
  Depth: 0.75”  
          Pole:   0.5” x 5’ or 0.5” x 10’

Materials:       Head:   .080 Aluminum Sheet 5052 H32  
  Pole:   .063 Aluminum Tubing

Finishes:        Nu-Style Polyester Powder Coating.  
  3M 7 year vinyl decals with 7 year laminate topcoat.

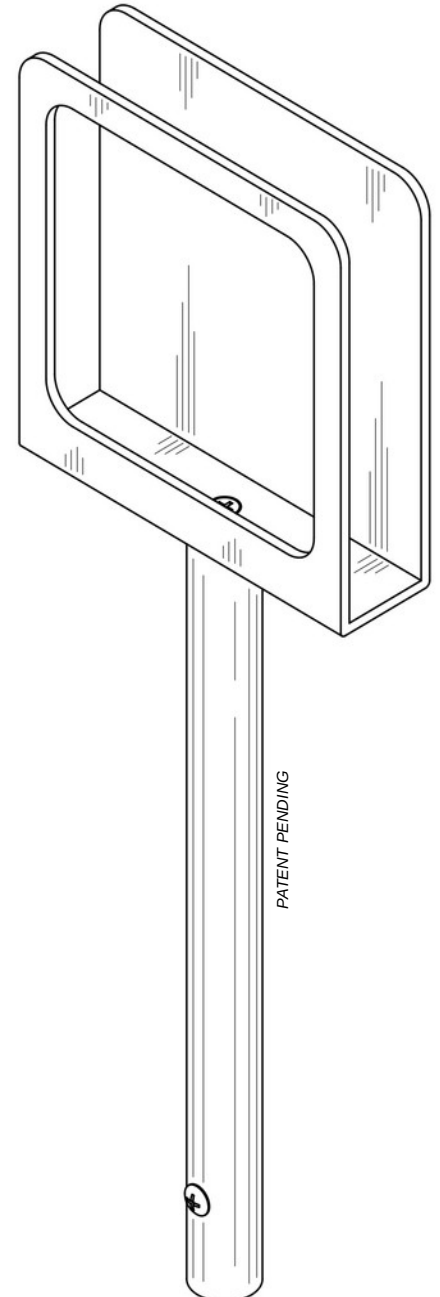
Pricing:           1 – 9 SimpleSelfieStands  
  5’:   \$130.00 ea.  
  10’:  \$150.00 ea.

  10 – 24 SimpleSelfieStands  
  5’:   \$117.00 ea.  
  10’:  \$135.00 ea.

  25+ SimpleSelfieStands  
  5’:   \$107.50 ea.  
  10’:  \$127.50 ea.

**All prices include powder coating and customized decals.**

Installation:    SimpleSelfieStands may be installed permanently or temporarily in a variety of manners, depending on your terrain and topology. Our staff will work with you to identify the best locations and approaches to place your SimpleSelfieStands safely and securely.



# Product Catalog & Specifications

## SimpleSelfieStand

475 Albany Shaker Road  
 Suite 9-11095,  
 Albany NY 12211  
 (970) 462- 7766  
 info@simpleselfiestand.com



### Customized vinyl decals...

All SimpleSelfieStands are produced using industry leader 3M digital dye-sublimation technology, providing superior imaging delivering all weather 7-year vinyl decals. Decals are then double-protected with a 7 year laminate topcoat.



### Pick your colors and finish...

SimpleSelfieStands are offered in a rainbow of colors to match your brand; blend in or stand out.

### Easy installation...

With a simple set-screw, SimpleSelfieStands can be permanently and securely set in place through a variety of techniques depending on your location. We're happy to work with your facilities or maintenance staff to identify key locations and provide options to install your SimpleSelfieStands.

